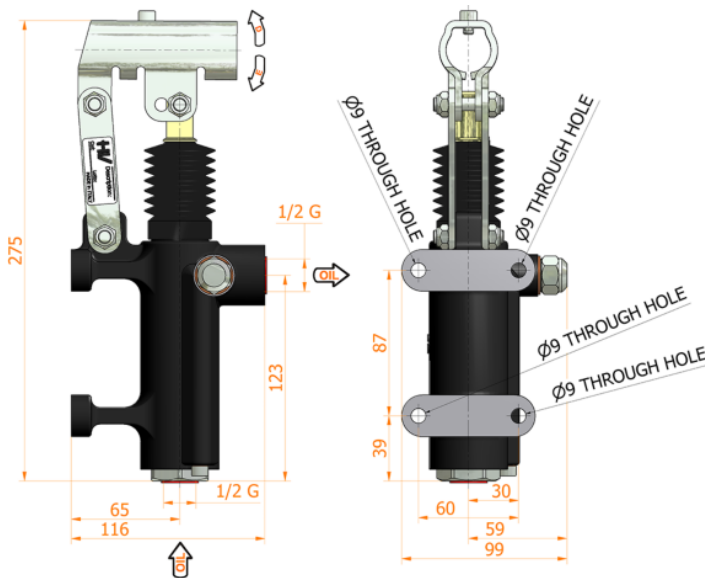
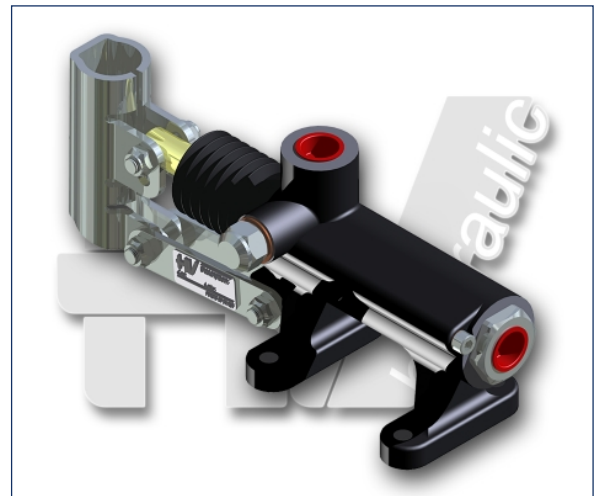
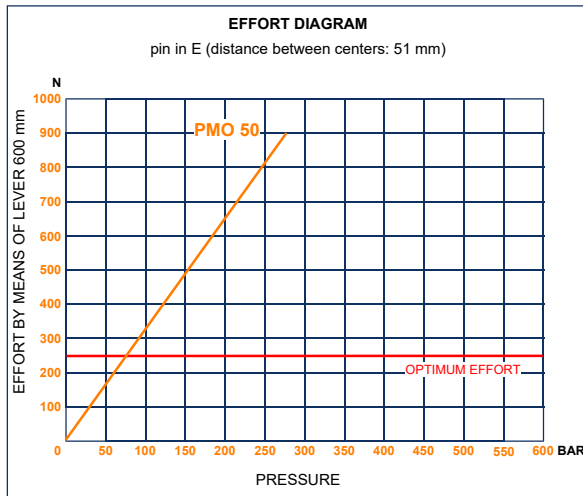
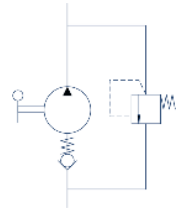




# PMO 50 byB-e-s

without release hand knob  
with pressure relief valve  
double acting hand pump for single acting cylinder  
for fixing to wall



**Specifications:**

- Cast iron body
- Piston treated with Niploy
- White zinc plated support lever
- Lever connection Ø 27
- White zinc plated external parts
- Standard colour black
- Pressure relief valve standard setting: 100 bar

DISPLACEMENT cm <sup>3</sup>	A mm	B mm	C mm	D °	E °	ACTUAL DISPLACEMENT cm <sup>3</sup>	PRESSURE BAR		MASS KG	CODE WITHOUT BELLOWS	CODE WITH BELLOWS
							OPTIMAL	MAX			
50	--	--	--	38	37	43,825	80	280	3,400	6077.0009	6077.0036

**HV Hydraulic S.r.l.**

www.hvhydraulic.com - info@hvhydraulic.com  
Via dell'Agricoltura, 162 - Loc. Castelletto di Serravalle - 40053 Valsamoggia (BO) Italy - Tel. +39 051 670.50.11 - Fax +39 051 670.53.74  
© ALL RIGHTS RESERVED